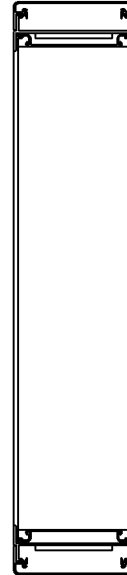
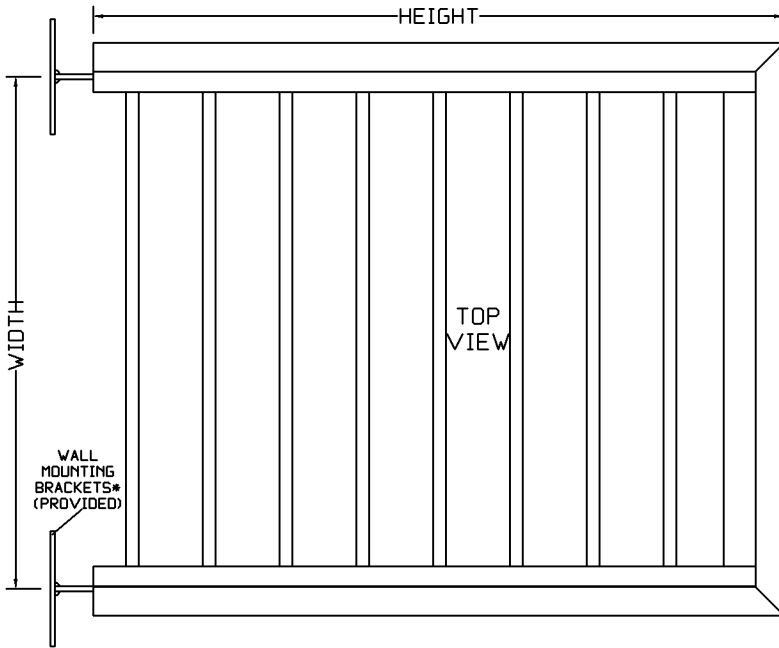
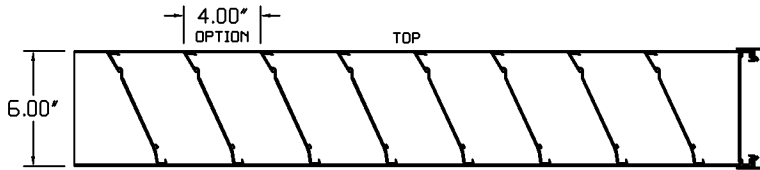


H6JN - 6" DEEP 25 DEGREE NARROW N BLADE EXTRUDED ALUMINUM STATIONARY SUNSHADE



BLADE - 0.081" THICKNESS TYPE 6063-T5 EXTRUDED ALUMINUM
 FRAME - 0.081" THICKNESS TYPE 6063-T5 EXTRUDED ALUMINUM
 OUTRIGGERS - 0.125" THICKNESS TYPE 6063-T5 EXTRUDED ALUMINUM
 DESIGNED FOR 30 PSF WIND LOAD
 SIZES 12' WIDE X 12' HIGH UP TO UNLIMITED SIZE AVAILABLE
 ALL FASTENERS CONCEALED FROM VIEW

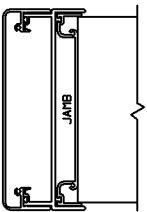
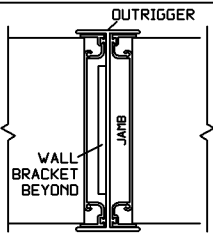
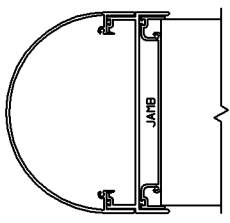
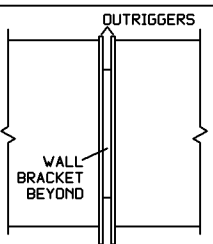
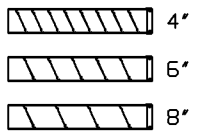
OPTIONS:
 VERTICAL OR HORIZONTAL ORIENTATION
 MULLION CONNECTIONS FOR CONTINUOUS RUNS
 MITERED CORNER JOINING PANELS
 BLADE SPACING 4', 6', OR 8'
 MOUNTING FOR VARIOUS WALL TYPES*
 VARIOUS EDGE TRIM DESIGNS
 HIGHER WIND LOAD RATINGS
 ARCHITECTURAL FINISHES



SHOWN WITH STANDARD 'T' TUBE TRIM

SECTION VIEWS

* SEE MOUNTING OPTIONS TECHNICAL SHEET FOR WALL BRACKETS
 ** SEE OUTRIGGER OPTIONS TECHNICAL SHEET FOR OUTRIGGER TYPES AND SHAPES

CONSTRUCTION	TRIM	OUTRIGGER	BLADE SPACING	
STANDARD	 TUBE "T" TRIM	 "I" SHAPE OUTRIGGER		
OPTION	 BULLNOSE "B" TRIM	 FLAT OUTRIGGER	 SELECT ONE	

**ARCHITECTURAL
L·O·U·V·E·R·S**

266 W Mitchell Ave - Cincinnati, OH 45232
 PH: (888) 568-8371 Fax: (888) 568-8370

PROJECT	
CONTRACTOR	
ARCHITECT	
DRAWN BY: JRR	DATE: 11/19
DRAWING TYPE: TECHNICAL SHEET	DRAWING TITLE: H6JN