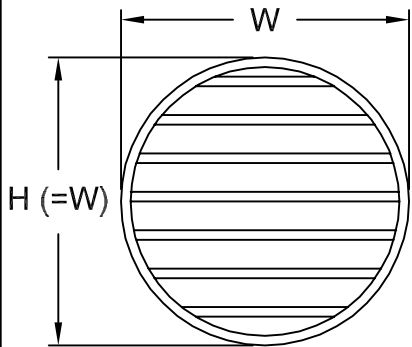
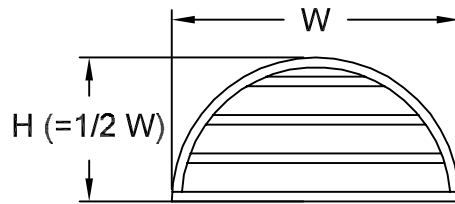


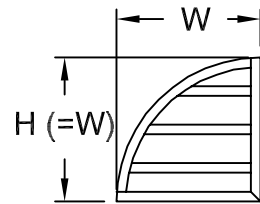
ARCHITECTURAL SPECIAL SHAPE LOUVERS EXTRUDED ALUMINUM STATIONARY LOUVER



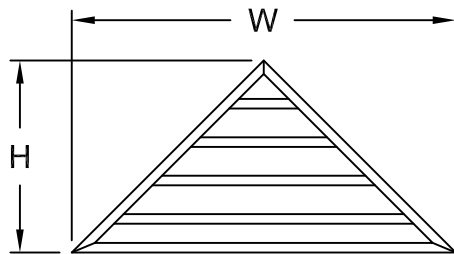
FULL ROUND



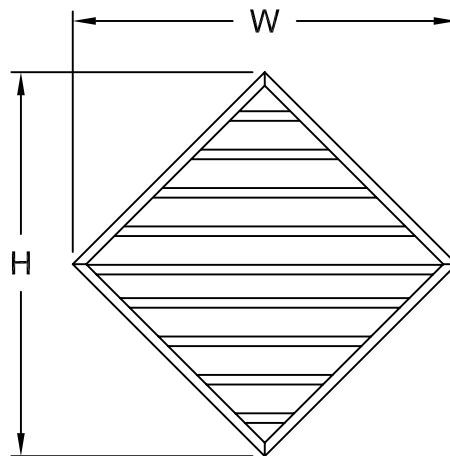
HALF ROUND



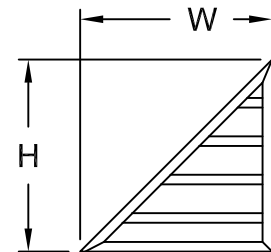
QUARTER ROUND
(LEFT OR RIGHT-
LEFT SHOWN)



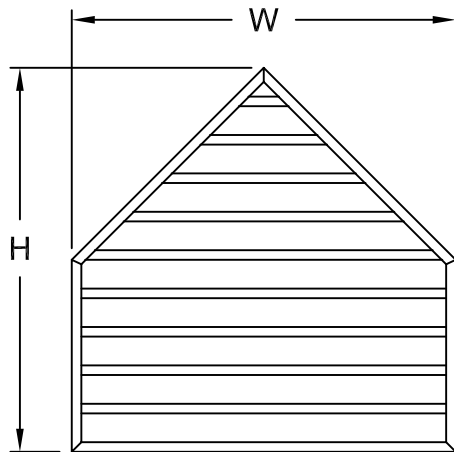
FULL TRIANGLE



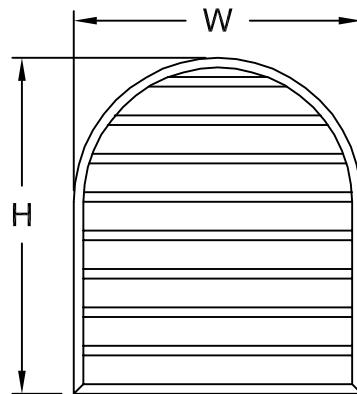
DIAMOND



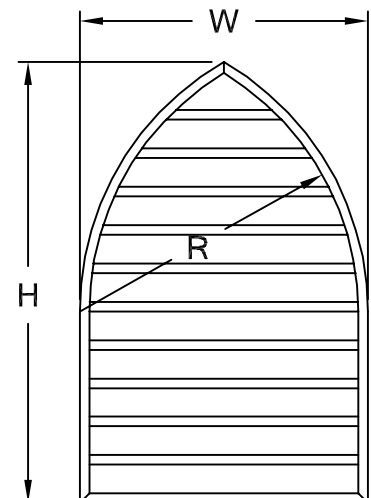
TRIANGLE
(LEFT OR RIGHT-
LEFT SHOWN)



HOUSE



DOME TOP



CATHEDRAL

OTHER SHAPES AVAILABLE BY REQUEST -
THIS LIST PROVIDED FOR DESIGN PURPOSES ONLY

ARCHITECTURAL
L·O·U·V·E·R·S

PROJECT				
CONTRACTOR				
ARCHITECT				
DRAWN BY:	REV. DATE:	QUANTITY:	DATE:	DRAWING TITLE:
JRR	01/26/2005			SPECIAL SHAPES