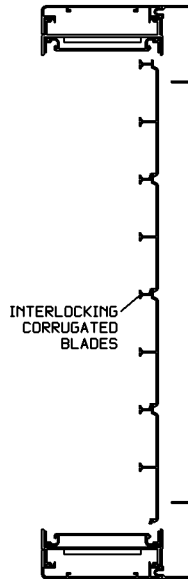
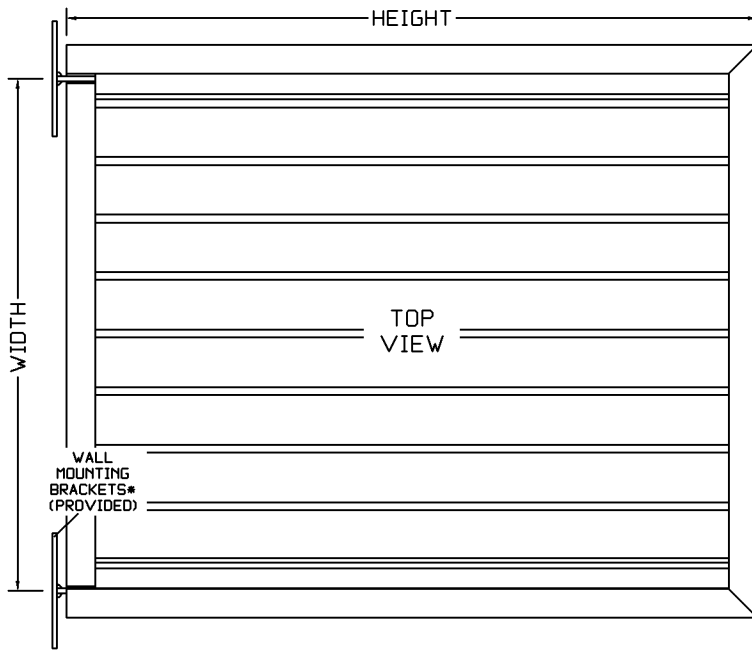


H8CV - 8" DEEP SOLID EXTRUDED ALUMINUM AWNING



BLADE - INTERLOCKING 0.081" THICKNESS TYPE 6063-T5 EXTRUDED ALUMINUM

FRAME - 0.081" THICKNESS TYPE 6063-T5 EXTRUDED ALUMINUM

OUTRIGGERS - 0.125" THICKNESS TYPE 6063-T5 EXTRUDED ALUMINUM

DESIGNED FOR 100 MPH WIND LOAD

MIN. SIZE: 24" WIDE X 12" HIGH
MAX. SIZE: UNLTD. WIDE X 60" HIGH

ALL FASTENERS CONCEALED FROM VIEW

OPTIONS:

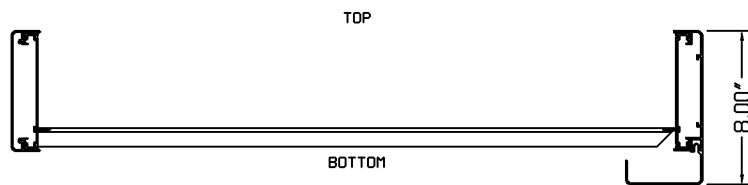
MULLION CONNECTIONS FOR CONTINUOUS RUNS

MOUNTING FOR VARIOUS WALL TYPES*

HIGHER WIND LOAD RATINGS

RIGGING SUPPORTS**

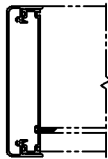
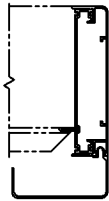
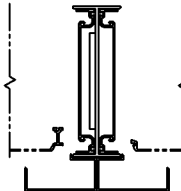
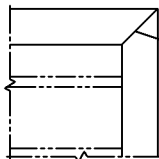

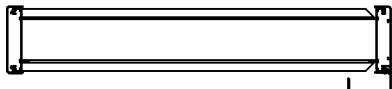
ARCHITECTURAL FINISHES



SECTION VIEWS

* SEE MOUNTING OPTIONS TECHNICAL SHEET FOR WALL BRACKETS

** SEE RIGGING SUPPORT SUPPLEMENT (MAY BE REQUIRED TO SUPPORT HIGH WIND LOADS AND/OR LARGE PROJECTIONS)

| CONSTRUCTION | INNER TRIM | TRIM (3 SIDES) | MULLION JOINT | TRIM CORNERS |
|----------------|---|---|--|---|
| STANDARD |  6" TUBE "T" TRIM |  8" TUBE "T" TRIM |  "1" MULLION WITH GUTTERS |  CORNERS MITERED (JOINED BY INSTALLER) MITERED |
| SIDING OPTIONS |  SINGLE SIDED (BOTTOM ONLY) | |  DOUBLE SIDED (TOP AND BOTTOM) | |

ARCHITECTURAL L · O · U · V · E · R · S

266 W Mitchell Ave - Cincinnati, OH 45232
PH: (888) 568-8371 Fax: (888) 568-8370

PROJECT

CONTRACTOR

ARCHITECT

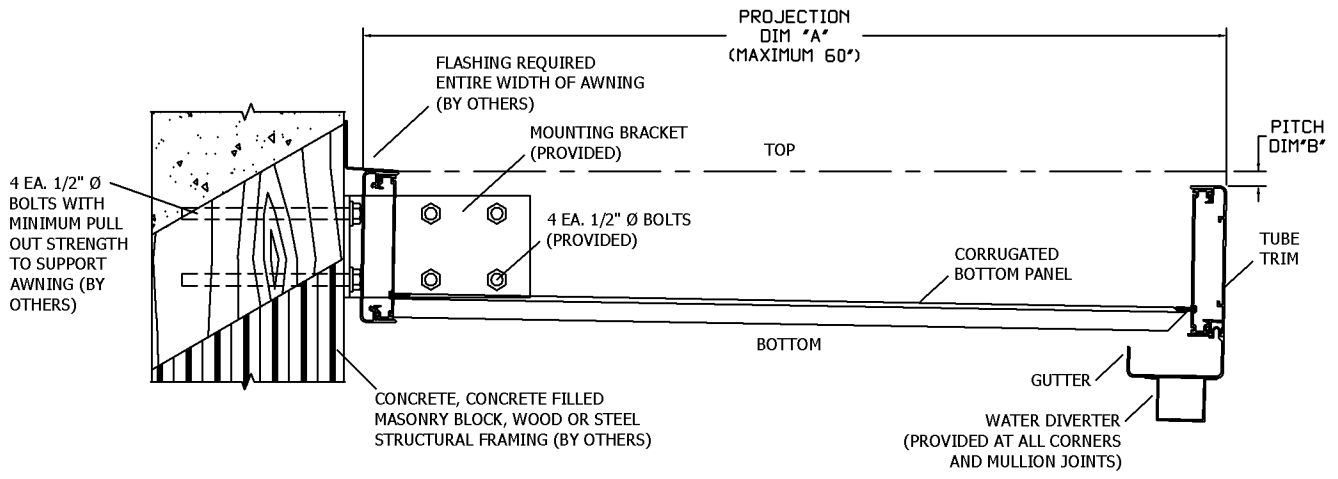
DRAWN BY:
JRR

DATE:
5/2017

DRAWING TYPE:
TECHNICAL SHEET

DRAWING TITLE:
HBCV

H8CV - 8" DEEP SOLID EXTRUDED ALUMINUM AWNING



**SECTION VIEW
(N.T.S.)**

**NOTE: SOLID AWNING MUST BE PITCHED
FOR DRAINAGE. USE THE TABLE TO
DETERMINE THE PITCH REQUIRED**

| PITCH REQUIREMENTS | |
|-----------------------|------------------|
| 1:96 | |
| PROJECTION DIM "A" | PITCH DIM "B" |
| 12" | 1/8" |
| 18" | 3/16" |
| 24" | 1/4" |
| 30" | 5/16" |
| 36" | 3/8" |
| 42" | 7/16" |
| 48" | 1/2" |
| 54" | 9/16" |
| 60" | 5/8" |

ARCHITECTURAL L·O·U·V·E·R·S

266 W Mitchell Ave - Cincinnati, OH 45232
PH: (888) 568-8371 Fax: (888) 568-8370

PROJECT

CONTRACTOR

ARCHITECT

DRAWN BY:
JRR

DATE:
5/2017

DRAWING TYPE:
TECHNICAL SHEET

DRAWING TITLE:
HBCV