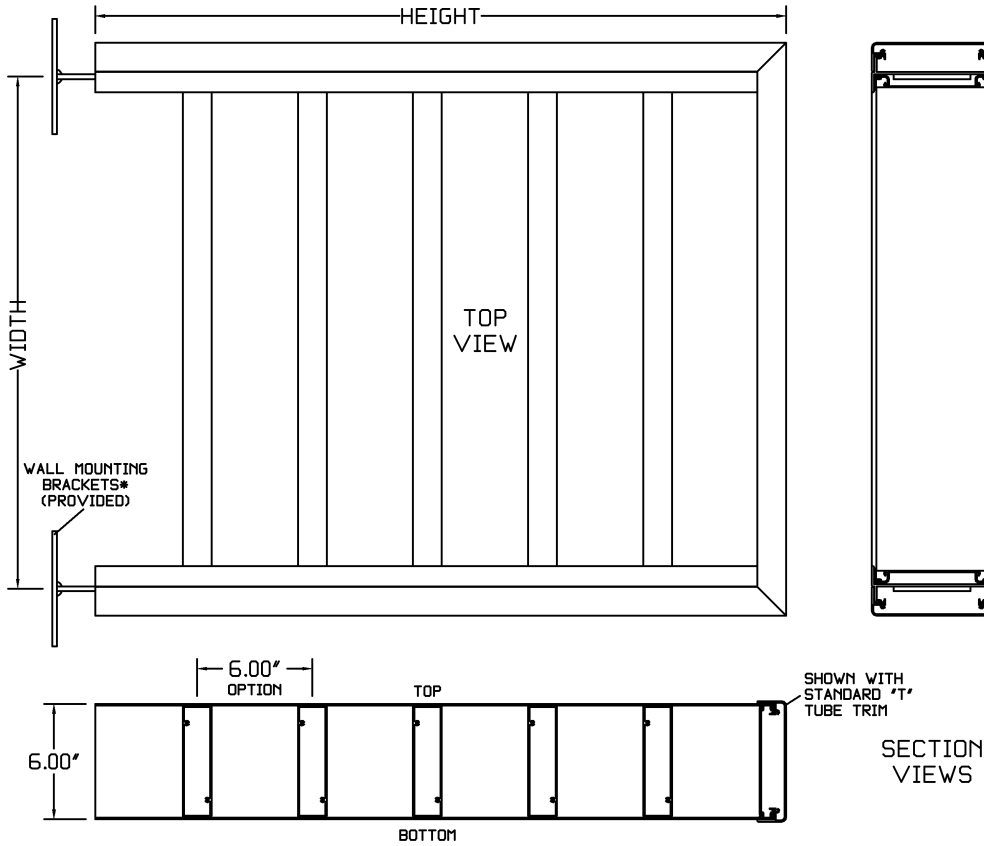


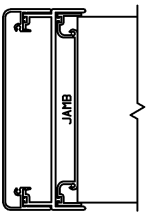
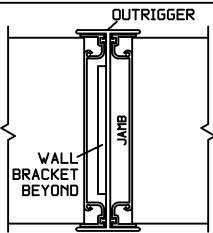
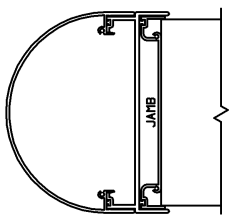
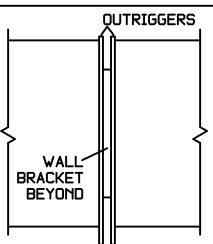
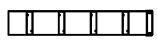
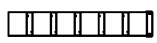
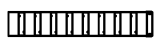
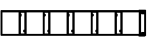
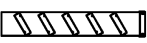
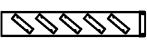
H6T - 6" DEEP RECTANGULAR TUBE BLADE EXTRUDED ALUMINUM STATIONARY SUN SHADE



BLADE - 0.081" THICKNESS TYPE 6063-T5 EXTRUDED ALUMINUM
 FRAME - 0.081" THICKNESS TYPE 6063-T5 EXTRUDED ALUMINUM
 OUTRIGGERS - 0.125" THICKNESS TYPE 6063-T5 EXTRUDED ALUMINUM
 DESIGNED FOR 30 PSF WIND LOAD
 SIZES 12' WIDE X 12' HIGH UP TO UNLIMITED SIZE AVAILABLE
 ALL FASTENERS CONCEALED FROM VIEW

- OPTIONS:
- VERTICAL OR HORIZONTAL ORIENTATION
 - MULLION CONNECTIONS FOR CONTINUOUS RUNS
 - MITERED CORNER JOINING PANELS
 - BLADE SPACING 4', 6', OR 8'
 - BLADE ANGLE 0°, 30°, OR 50°
 - MOUNTING FOR VARIOUS WALL TYPES*
 - VARIOUS EDGE TRIM DESIGNS
 - HIGHER WIND LOAD RATINGS
 - ARCHITECTURAL FINISHES

* SEE MOUNTING OPTIONS TECHNICAL SHEET FOR WALL BRACKETS
 ** SEE OUTRIGGER OPTIONS TECHNICAL SHEET FOR OUTRIGGER TYPES AND SHAPES

| CONSTRUCTION | TRIM | OUTRIGGER | BLADE SPACING | BLADE ANGLE |
|--------------|----------------------------------------------------------------------------------------------------------|------------------------------------------------------------------------------------------------------------|---------------------------------------------------------------------------------------------------------------------------------------------------------------------------------------------------------------------------------------------------------------------------------------------|--------------------------------------------------------------------------------------------------------------------------------------------------------------------------------------------------------------------------------------------------------------------------------------------------|
| STANDARD |  TUBE "T" TRIM |  "I" SHAPE OUTRIGGER | | |
| OPTION |  BULLNOSE "B" TRIM |  FLAT OUTRIGGER |  8"  6"  4" SELECT ONE |  0°  30°  50° SELECT ONE |

ARCHITECTURAL L·O·U·V·E·R·S

266 W Mitchell Ave - Cincinnati, OH 45232
 PH: (888) 568-8371 Fax: (888) 568-8370

| | | | |
|------------------|----------------|----------------------------------|-----------------------|
| PROJECT | | | |
| CONTRACTOR | | | |
| ARCHITECT | | | |
| DRAWN BY: JRR | DATE: 11/19 | DRAWING TYPE: TECHNICAL SHEET | DRAWING TITLE: H6T |