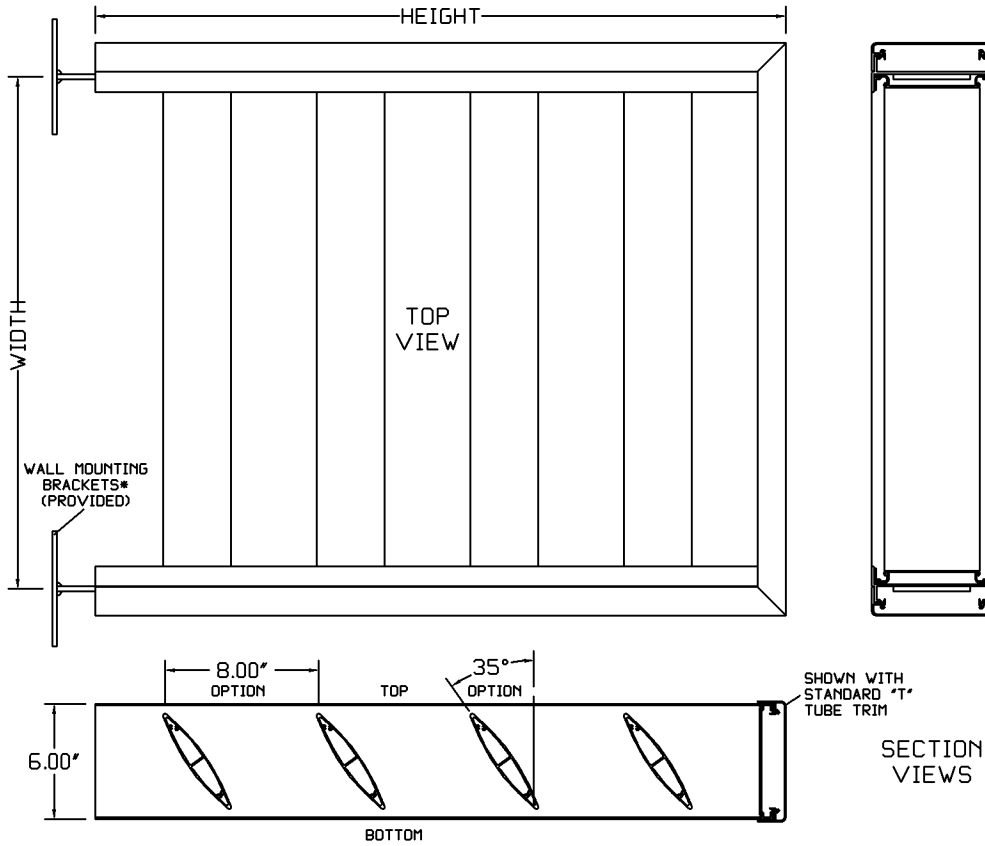


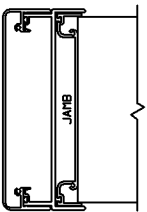
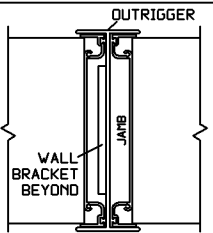
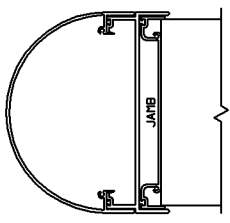
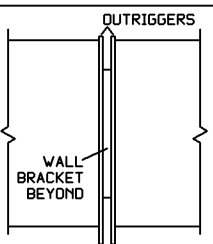
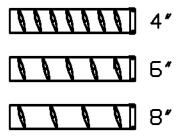
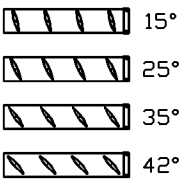
H6A - 6" DEEP AIRFOIL BLADE EXTRUDED ALUMINUM STATIONARY SUN SHADE



BLADE - 0.081" THICKNESS TYPE 6063-T5 EXTRUDED ALUMINUM
 FRAME - 0.081" THICKNESS TYPE 6063-T5 EXTRUDED ALUMINUM
 OUTRIGGERS - 0.125" THICKNESS TYPE 6063-T5 EXTRUDED ALUMINUM
 DESIGNED FOR 30 PSF WIND LOAD
 SIZES 12' WIDE X 12' HIGH UP TO UNLIMITED SIZE AVAILABLE
 ALL FASTENERS CONCEALED FROM VIEW

- OPTIONS:
- VERTICAL OR HORIZONTAL ORIENTATION
 - MULLION CONNECTIONS FOR CONTINUOUS RUNS
 - MITERED CORNER JOINING PANELS
 - BLADE ANGLES 15°, 25°, 35°, OR 42°
 - BLADE SPACING 4', 6', OR 8'
 - MOUNTING FOR VARIOUS WALL TYPES*
 - VARIOUS EDGE TRIM DESIGNS
 - HIGHER WIND LOAD RATINGS
 - ARCHITECTURAL FINISHES

* SEE MOUNTING OPTIONS TECHNICAL SHEET FOR WALL BRACKETS
 ** SEE OUTRIGGER OPTIONS TECHNICAL SHEET FOR OUTRIGGER TYPES AND SHAPES

CONSTRUCTION	TRIM	OUTRIGGER	BLADE SPACING	BLADE ANGLE
STANDARD	 TUBE "T" TRIM	 "I" SHAPE OUTRIGGER		
OPTION	 BULLNOSE "B" TRIM	 FLAT OUTRIGGER	 SELECT ONE	 SELECT ONE

ARCHITECTURAL L · O · U · V · E · R · S

266 W Mitchell Ave - Cincinnati, OH 45232
 PH: (888) 568-8371 Fax: (888) 568-8370

PROJECT			
CONTRACTOR			
ARCHITECT			
DRAWN BY: JRR	DATE: 11/19	DRAWING TYPE: TECHNICAL SHEET	DRAWING TITLE: H6A