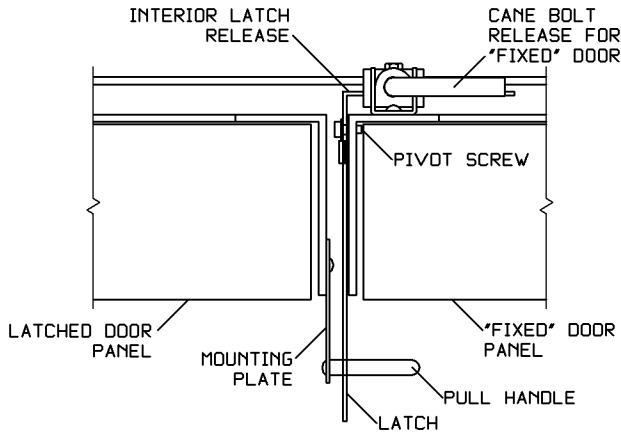


# LATCH ASSEMBLY FOR HD DOUBLE DOOR (OPTION FOR ALL 2", 4", OR 6" DEEP DOORS)



HORIZONTAL SECTION

LATCH AND MOUNTING PLATE - 11 GA TYPE 300 SERIES STAINLESS STEEL, MILL FINISH.

CANE BOLT ASSEMBLY - ALL TYPE 300 SERIES STAINLESS STEEL. 1/2" DIAMETER ROD WITH 11 GA MOUNTING BRACKETS.

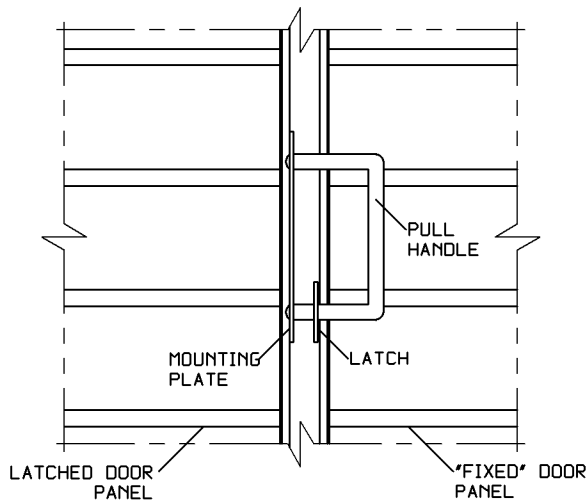
FASTENERS - 1/4-20 X 1/2" LONG TYPE 300 SERIES STAINLESS STEEL, ONE WAY SECURITY HEAD.

PIVOT SCREW - 1/4-20 THREAD, 5/16" SHOULDER SCREW WITH 1/2" Ø SLOTTED HEAD.

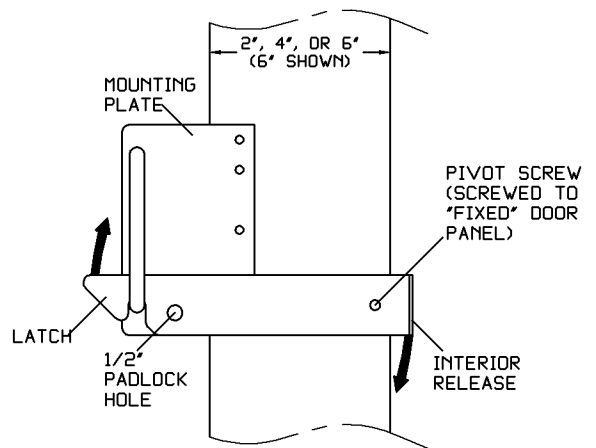
PULL HANDLE - 1/2" ROUND TYPE 300 SERIES STAINLESS STEEL (BENT) WITH FEMALE 1/4-20 TREADS.

LATCH IS LOCKABLE WITH A PADLOCK (BY OTHERS).

NOTE: ENTIRE LATCH ASSEMBLY SHIPS LOOSE FOR FIELD INSTALLATION. AVAILABLE FOR ALL FRAME DEPTHS AND LEFT HINGE OR RIGHT HINGE DOORS (6" DEEP LEFT HINGE DOUBLE DOOR SHOWN).



FRONT ELEVATION AT LATCH



VERTICAL SECTION AT DOOR JAMB

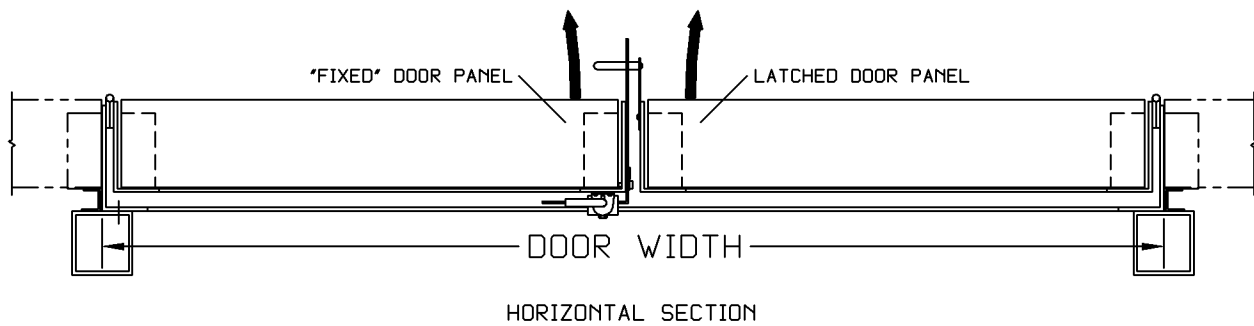
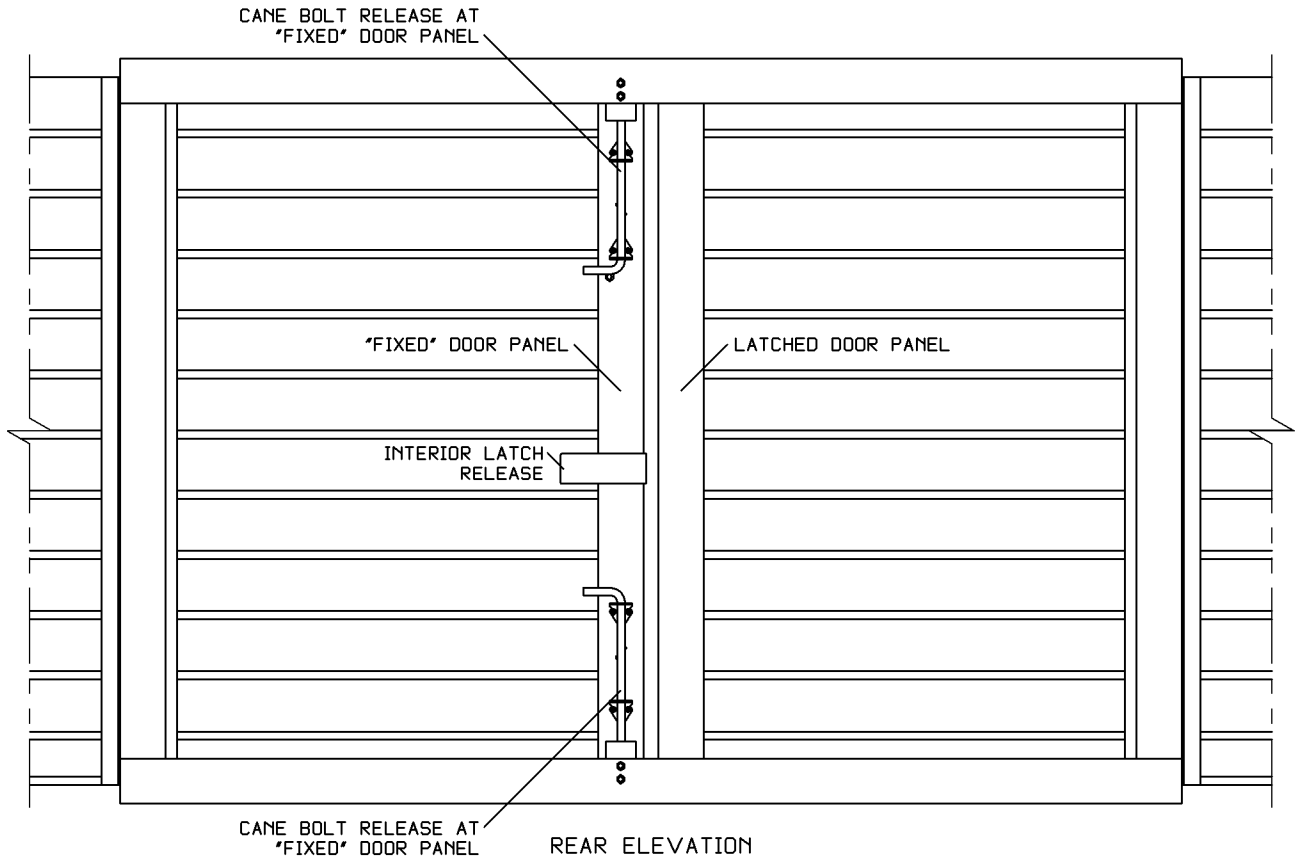
NOTE: SEE PAGE 2 FOR REAR ELEVATION

**ARCHITECTURAL  
L·O·U·V·E·R·S**

266 W Mitchell Ave - Cincinnati, OH 45232  
PH: (888) 568-8371 Fax: (888) 568-8370

PROJECT			
CONTRACTOR			
ARCHITECT			
DRAWN BY: JRR	DATE: 12/19	DRAWING TYPE: TECHNICAL SHEET	DRAWING TITLE: LATCH HD DOUBLE

# LATCH ASSEMBLY FOR HD DOUBLE DOOR (OPTION FOR ALL 2", 4", OR 6" DEEP DOORS)



**OPERATION:**

'FIXED' DOOR PANEL - OPENS BY INTERIOR CANE BOLTS ONLY  
 LATCHED DOOR PANEL - OPENS WITH EXTERIOR LATCH OR INTERIOR RELEASE

**ARCHITECTURAL  
L·O·U·V·E·R·S**

266 W Mitchell Ave - Cincinnati, OH 45232  
 PH: (888) 568-8371 Fax: (888) 568-8370

PROJECT

CONTRACTOR

ARCHITECT

DRAWN BY:  
JRR

DATE:  
12/19

DRAWING TYPE:  
TECHNICAL SHEET

DRAWING TITLE:  
LATCH HD DOUBLE