

HINGED 4" DEEP WALL LOUVER DOUBLE ACCESS DOOR WITH SUBFRAME FOR MOUNTING

SUBFRAME - 0.081" THICKNESS TYPE 6063-T5 EXTRUDED ALUMINUM

HINGE - HEAVY DUTY 0.060" THICKNESS ALUMINUM CONTINUOUS PIANO HINGE (0.120" PIN DIAMETER)

BLADE - 0.081" THICKNESS TYPE 6063-T5 EXTRUDED ALUMINUM

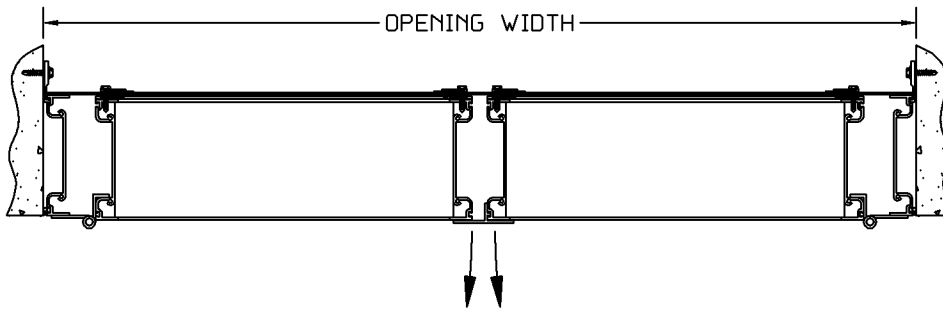
FRAME - 0.081" THICKNESS TYPE 6063-T5 EXTRUDED ALUMINUM

DESIGNED FOR 30 PSF WIND LOAD

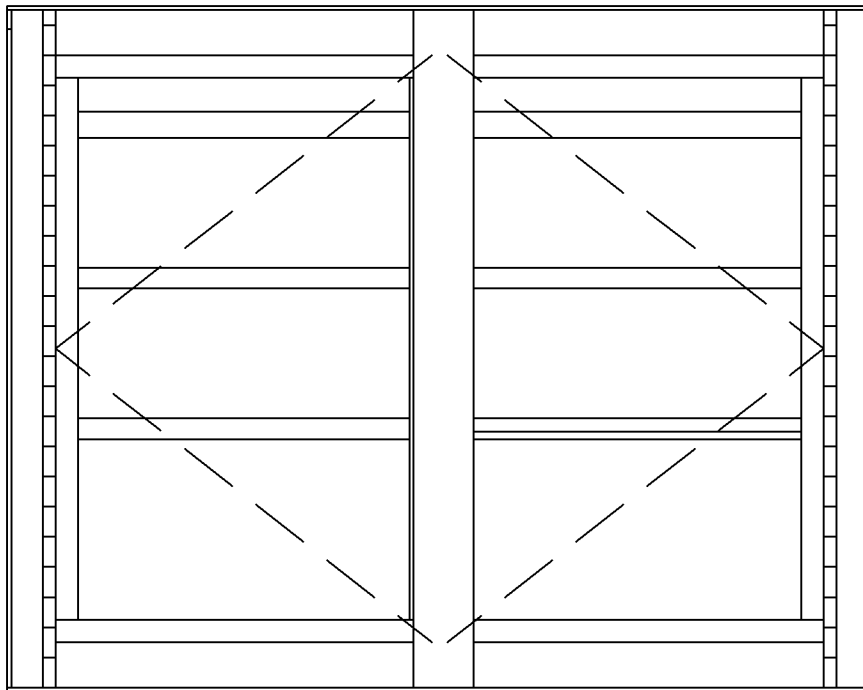
SIZES 24" WIDE X 12" HIGH UP TO 72" WIDE X 48" HIGH

LATCHING - BY OTHERS (NOT INCLUDED)

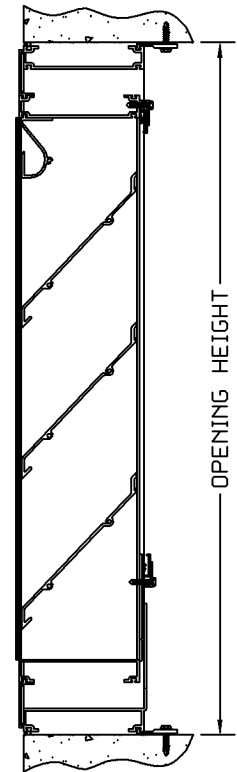
MODEL E4JS SHOWN - HINGED OPTION IS AVAILABLE ON ALL WALL LOUVER MODELS



HORIZONTAL SECTION



ELEVATION



VERTICAL SECTION

**ARCHITECTURAL
L·O·U·V·E·R·S**

266 W Mitchell Ave - Cincinnati, OH 45232
PH: (888) 568-8371 Fax: (888) 568-8370

PROJECT

CONTRACTOR

ARCHITECT

DRAWN BY:
JMC

DATE:
09/2017

DRAWING TYPE:
TECHNICAL SHEET

DRAWING TITLE:
HINGED 4" DBL ACCESS