

STURDISTRICT ROOFTOP FRAMING SYSTEM FOR LOUVERED EQUIPMENT SCREENS

MIN. LOUVER HEIGHT 24"
MAX. LOUVER HEIGHT 96"

POSTS AND GIRTS - 3" X 3" MODULAR
ALUMINUM TUBE FRAMING

KICKER AND RACKING BRACES - 1-1/2" X
1-1/2" MODULAR ALUMINUM TUBE FRAMING

FASTENERS - STAINLESS STEEL TEK SCREWS,
5/16" CARRIAGE BOLTS, NUTS, AND WASHERS

DESIGNED FOR 30 PSF WIND LOAD

POSTS SPACED AT 96" MAX. ON CENTER

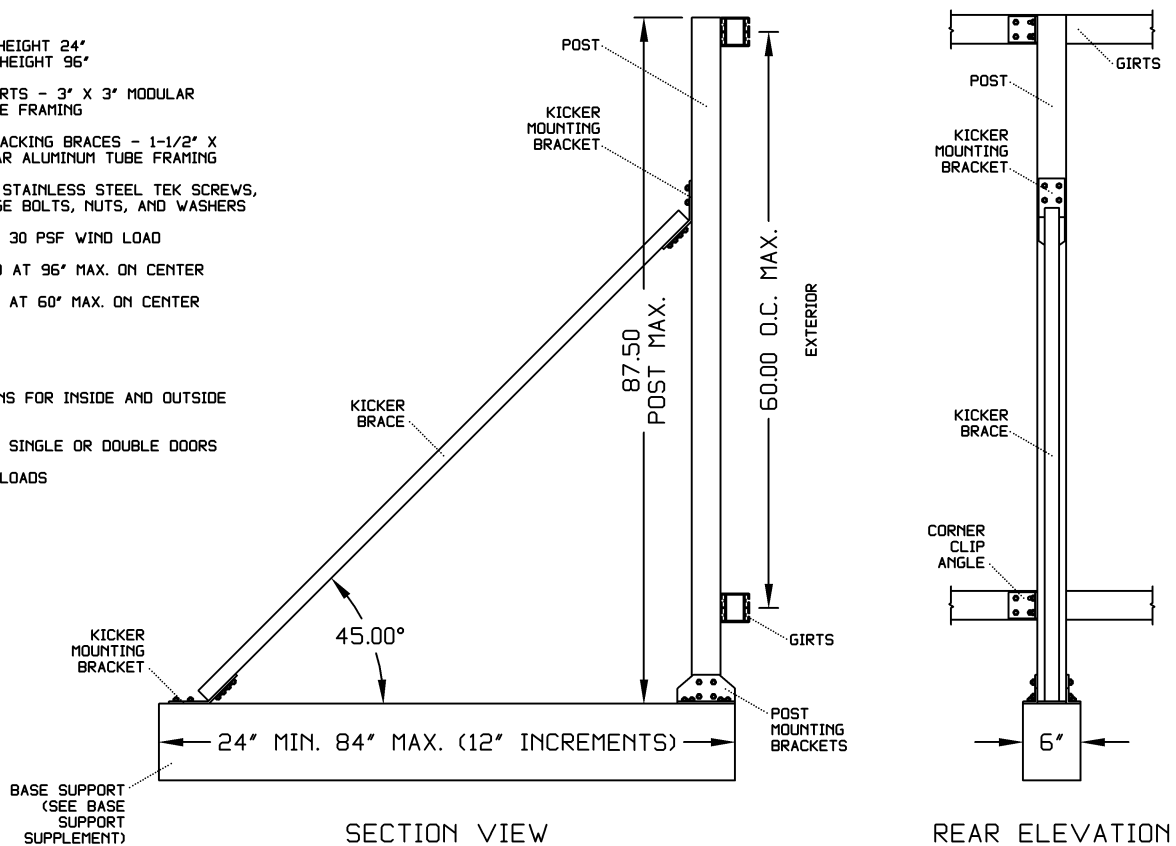
GIRTS SPACED AT 60" MAX. ON CENTER

OPTIONS:

CONFIGURATIONS FOR INSIDE AND OUTSIDE
CORNERS

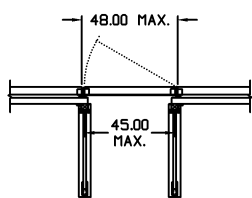
OPENINGS FOR SINGLE OR DOUBLE DOORS

HIGHER WIND LOADS



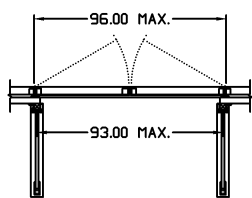
DOOR OPENINGS

PLAN VIEW



SINGLE DOORS

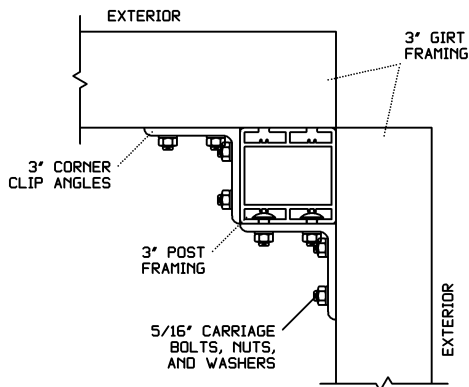
PLAN VIEW



DOUBLE DOORS

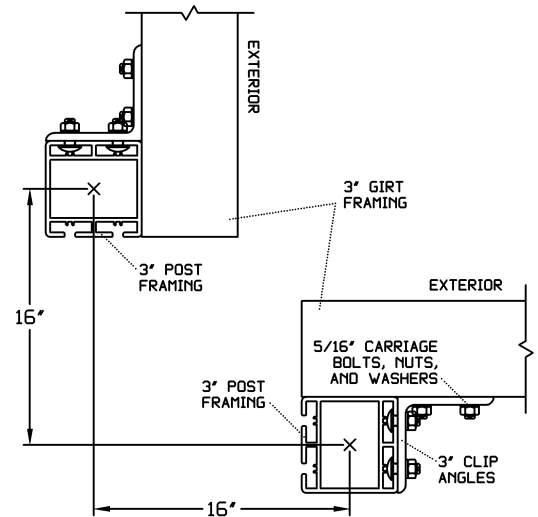
OUTSIDE CORNER

PLAN VIEW



INSIDE CORNER

PLAN VIEW



**ARCHITECTURAL
L·O·U·V·E·R·S**

266 W Mitchell Ave - Cincinnati, OH 45232
PH: (888) 568-8371 Fax: (888) 568-8370

PROJECT

CONTRACTOR

ARCHITECT

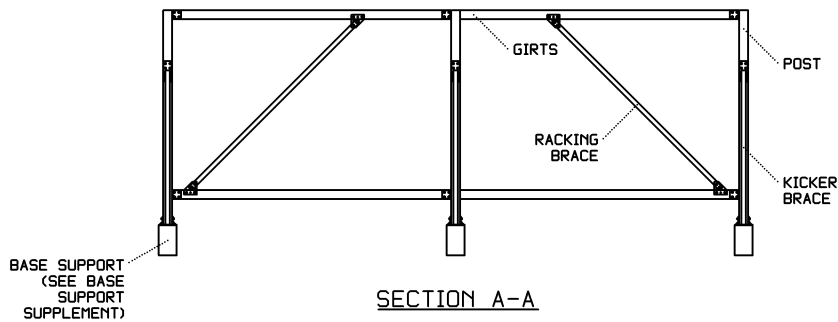
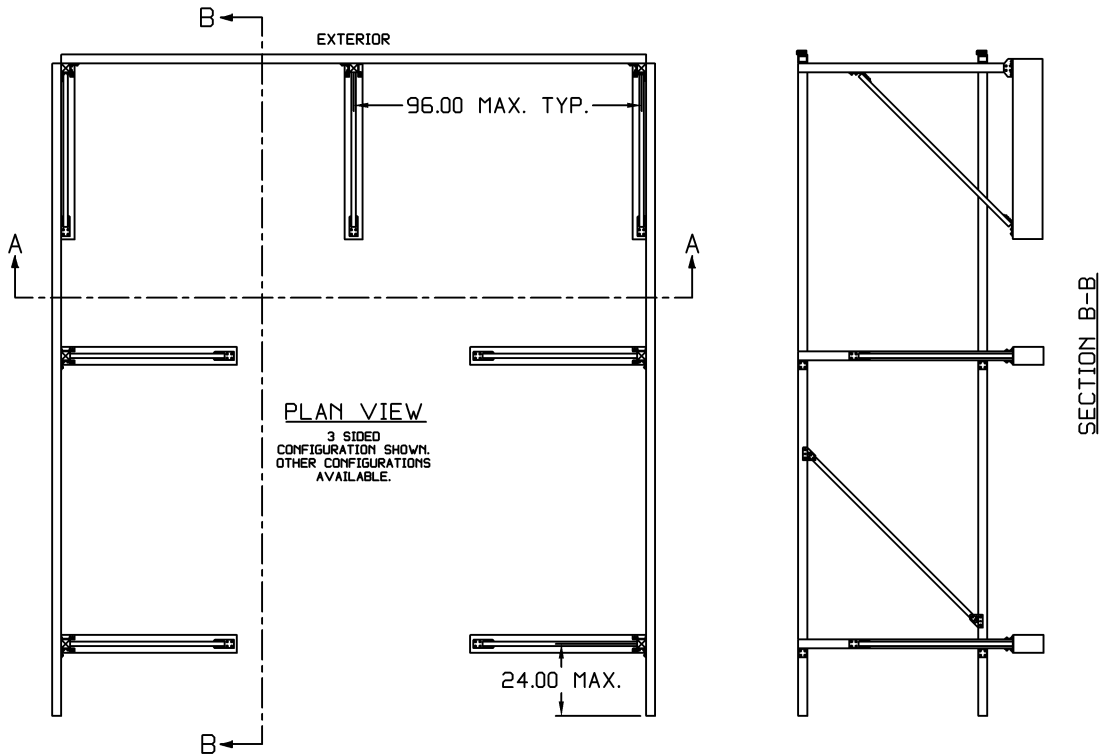
DRAWN BY:
JRR

DATE:
05/2018

DRAWING TYPE:
TECHNICAL SHEET

DRAWING TITLE:
SFS

STURDISTRICT ROOFTOP FRAMING SYSTEM FOR LOUVERED EQUIPMENT SCREENS



**ARCHITECTURAL
L·O·U·V·E·R·S**

266 W Mitchell Ave - Cincinnati, OH 45232
PH: (888) 568-8371 Fax: (888) 568-8370

PROJECT

CONTRACTOR

ARCHITECT

DRAWN BY:
JRR

DATE:
05/2018

DRAWING TYPE:
TECHNICAL SHEET

DRAWING TITLE:
SFS

ROOF MOUNTED BASE SUPPORTS FOR STURDISTRICT FRAMING SYSTEM

FOOT AND EXTENSION: 0.080" THICKNESS
WELODED ALUMINUM

WOOD NAILER: 2 X 6 NOMINAL WOOD

TOP CAP: 0.14" THICKNESS X 6" WIDE EXTRUDED
ALUMINUM (SLOTTED)

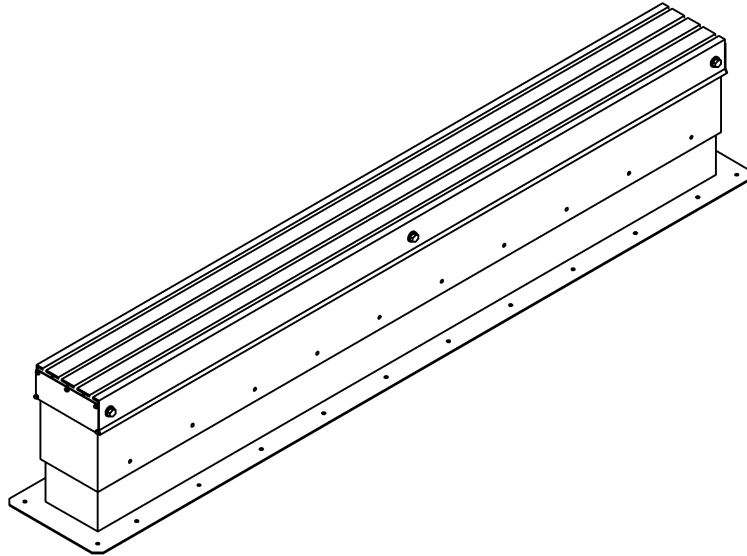
ASSEMBLY FASTENERS: STAINLESS STEEL

MODEL ER10:
ADJUSTABLE HEIGHT FROM 10" TO 16"

MODEL ER16:
ADJUSTABLE HEIGHT FROM 16" TO 24"

OPTIONS:

LENGTHS FROM 24" TO 84" (12" INCREMENTS)
SIZED TO FIT ROOF FRAMING SYSTEM



MODEL	MIN HEIGHT	MAX HEIGHT	SECTION DETAIL
ER10	<p>10.00 MIN.</p>	<p>16.00 MAX.</p>	<p style="text-align: right;">SECTION VIEW</p>
ER16	<p>16.00 MIN.</p>	<p>24.00 MAX.</p>	

ARCHITECTURAL L·O·U·V·E·R·S

266 W Mitchell Ave - Cincinnati, OH 45232
PH: (888) 568-8371 Fax: (888) 568-8370

PROJECT

CONTRACTOR

ARCHITECT

DRAWN BY:
JRR

DATE:
05/2018

DRAWING TYPE:
TECHNICAL SHEET

DRAWING TITLE:
ER